

# AR SNKPURE C

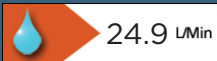
## ARTISAN Tap Range Artisan Pure Monobloc Sink Mixer with Filter Chrome



### Features:

- Long life and easy to use 1/4 turn ceramic disc valves
- Metal fixing nut for added durability
- Minimum working pressure of 0.5 bar
- Flexible tails included
- Dispenses fresh filtered cold water, as well as hot and cold water

### Product Certifications:



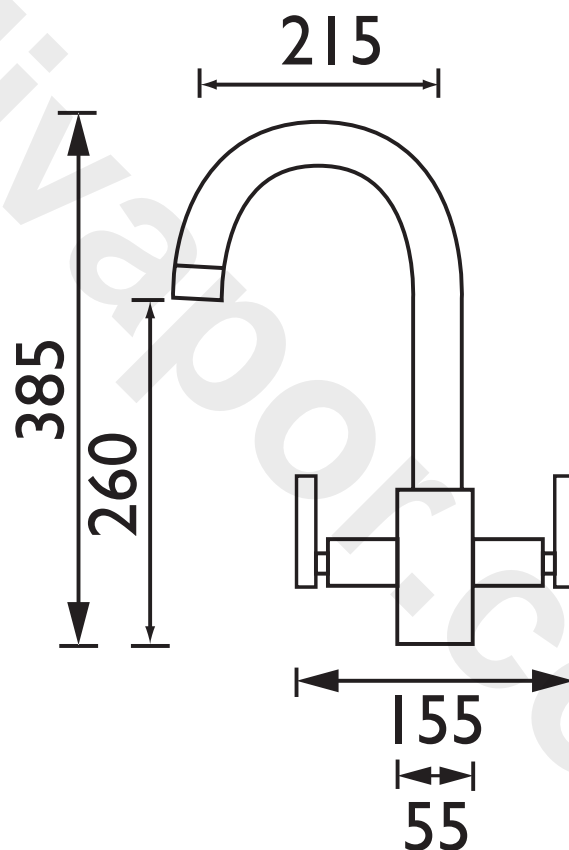
For more products, visit our website:  
<http://www.bristan.com>



### Specification

Product Type:	Taps
Main Construction Material:	Brass
Mount Type:	Deck mounted
Handle Type:	Lever Handles
Connection Inlet:	1/2" BSP
Connection Outlet:	N/A
Number of Tap Holes:	1
Valve/Cartridge Type:	Quarter Turn 1/2" Ceramic Disc Valves
Plumbing System Requirements:	All - Ideally Balanced
Working Pressure Range:	Min. 0.5 Bar, Max. 5.0 Bar
Maximum Hot Water Temperature: °C	65
Maximum Static Pressure: (bar)	10
Flow Type:	Dual flow

### Dimensions (measurements in mm)



### Flow Rates (l/min)

System Pressure (bar)	0.2	0.5	1	2	3	5
AR SNKPURE C	6.6	10.3	14.6	20.2	24.9	32.6

## TECHNICAL DATA SHEET



# BRISTAN

TAPS & SHOWERS

D6